

# VSG

## Pedestrian Gate

VSG gates are ideal for providing special needs access or material delivery. Gates can be installed alone or used in conjunction with turnstiles and/or railing.



### COMMON APPLICATIONS

- Entry/Exit Control
- Wheelchair/Disabled Access
- Delivery Access

### TYPICAL INSTALLATION SITES

- Corporate Facilities
- Sports Parks, Arenas and Stadiums
- Amusement Parks
- Retail Stores

## FUNCTION

The VSG is a self-closing gate that is ideal for use in applications where waist high or optical turnstiles are installed. The gate is suitable for special needs access and also provides a convenient method of facilitating material delivery or large group passage.

The VSG is available in electric locking and non-locking versions. Both versions are available with infill bars or a clear panel infill.

VSG gates open in a single direction and have a heavy duty hydraulic closure that closes the gate smoothly without banging. Electric lock versions integrate with access control systems and can be activated by entry control devices such as a push button installed at a guard or entry desk. Post outlets can be added to either the hinge or latch post to incorporate Alvarado post and railing.

## AVAILABLE CONFIGURATIONS

### VSG-1

No locking hardware.

### VSGX-1 (ELECTRIC LOCK CONTROL)

This model has an electro-magnetic lock with a holding force of 600 lbs.

## AVAILABLE FINISHES

### STAINLESS STEEL

Gate and frame are fabricated from #304 stainless steel with a satin finish.

### POWDER COATED

Gate and frame are powder coated.

## MATERIALS

### GATE

The gate is a fully welded assembly consisting of 2" x 2" square stainless steel tubing with an 8" high kickplate on both sides of the gate. The gate is ordered with square infill bars, evenly spaced across the width of the gate, or a clear acrylic interior panel held in place with glass clips.

### HINGE POST AND LATCH POST

The hinge and latch post are fabricated from 2.5" square stainless steel tubing. The posts have a square base plate for anchoring and stainless steel base cover to hide anchoring bolts.



## GATE CLOSURE

All VSG gates have a hydraulic closure that closes the gate smoothly without banging.

## ELECTRIC COMPONENTS (ELECTRIC MODELS)

### MAGNETIC LOCK (VSGX-1)

The electro-magnetic lock is fail safe, and has a current of draw of 250 mA @ 12VDC, and a holding force of 600 lbs.

### POWER SUPPLY

The power supply is a 110 VAC, 60Hz, plug-in style with a 1000mA output at 12VDC.

## ACTIVATION

### VSGX-1

The VSGX-1 requires a sustained dry contact to unlock the gate. The gate lock will not re-engage until the gate is closed and the contact is released.

## OPTIONS

### 220VAC

A 220VAC, 50-60 Hz power supply is substituted for the standard 110VAC power supply.

### MAGNETIC DOOR STATUS SWITCH

When the gate opens, magnetic contacts are broken, which signals the gate is open. The switch is a SPST contact supplied with two lead in wires for field connection.

### PUSH BAR

A switch activated push bar is wired into the magnetic lock and when depressed, unlocks the magnetic lock.

### PUSH BUTTON ASSEMBLY

A 3.15" square assembly constructed of stainless steel with a DPDT push button switch. Includes zinc plated mounting plate for attachment to wall, desk, or other fixed item. The switch is field wired into the strike or magnetic lock power cable to unlock the gate from a remote position such as a guard or attendant desk.

### RAILING OUTLETS

Railing outlets can be added to the hinge or latch post to accept Alvarado 1.75" diameter railing.



### SHIPPING AND SITE PREPARATION

#### SHIPPING

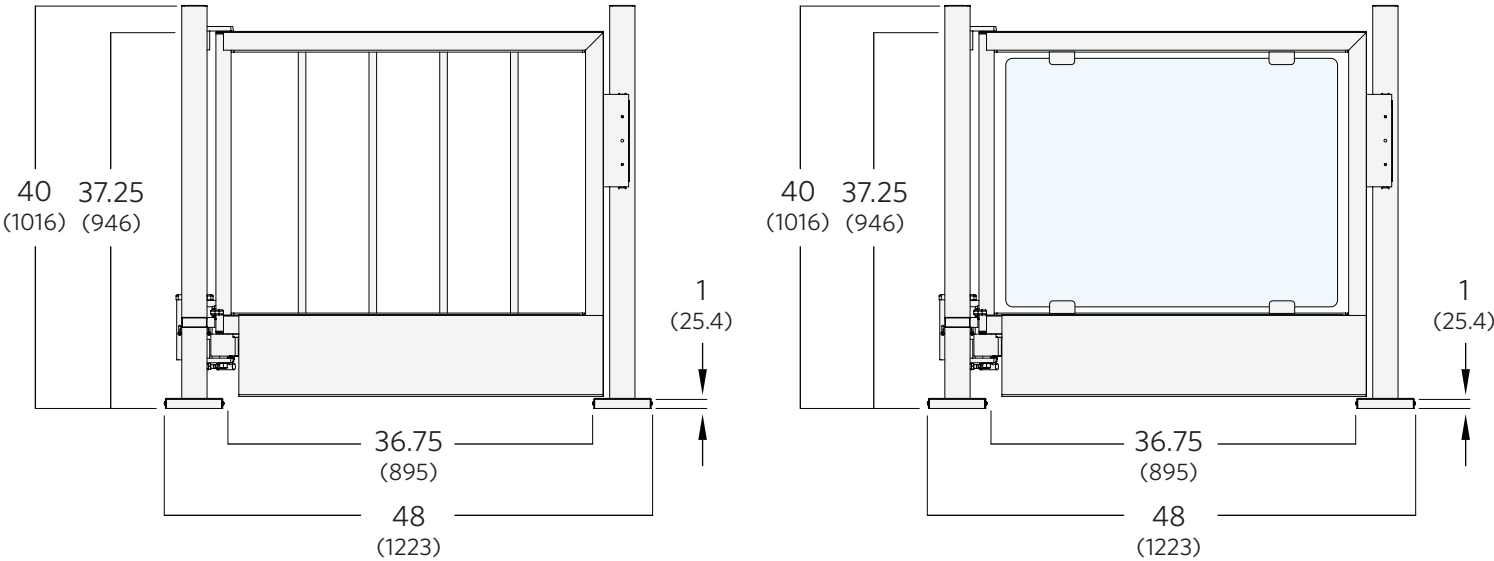
VSG gates are shipped fully assembled and ready for installation.

#### SITE PREPARATION

All gates must be installed on a firm foundation in a manner that allows the required power and activation signal cabling to be pulled into the unit. The recommended slab platform should be 4" deep, level concrete. Concrete anchors, bolts and washers are included with each gate. Gates should be secured to adjacent fencing, turnstile or similar solidly anchored equipment. Installation should be performed by a skilled installer following Alvarado's directions and instructions. Detailed drawings and installation manuals are available online.

### TECHNICAL DIMENSIONS

Dimensions are shown in inches (mm). All measurements are approximate.



Electrical		Description	
Plug-in Power Supply	See information provided earlier in the specification.		
Power Requirements	See information provided earlier in the specification.		
Weights and Environmental			
Product Weight	160 lbs.	73 kg	
Shipping Weight	215 lbs.	98 kg	Includes weight of shipping crate(s)
Operating temperature	-20° to 120° F	-7° to 49° C	
Storage Temperature	-30° to 160° F	-34° to 71° C	
Relative Humidity	0-90% (non-condensing)	--	

## WARRANTY

For a period of one year from the date of shipping, Alvarado will replace or repair, at Alvarado's option, any products or parts which are defective in materials or workmanship, provided recommended installation and maintenance procedures are followed. This warranty is void if damage is due to improper installation, maintenance or use. This warranty is limited to parts only, and does not cover labor or shipping charges incurred in connection with the removal or replacement of warranted products or parts.

This warranty is expressly made in lieu of any and all other warranties, expressed or implied, including, but not limited to implied warranties of merchantability and fitness for a particular purpose. Alvarado shall not be liable for any loss or damage, directly or indirectly, arising from the use of purchased products. In no event shall Alvarado be liable to buyer for consequential damages, special damages, incidental damages, loss of use, business interruption, loss of profits, or damages of any kind arising out of the use or inability to use a purchased product. In NO event shall Alvarado be liable for damages which exceed the purchase price of a covered product.

