

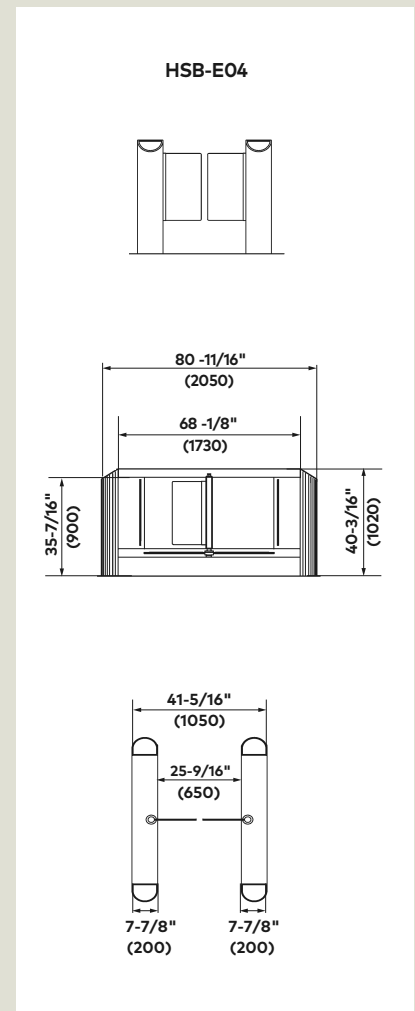
HSB-E04 sensor barriers

Moderate



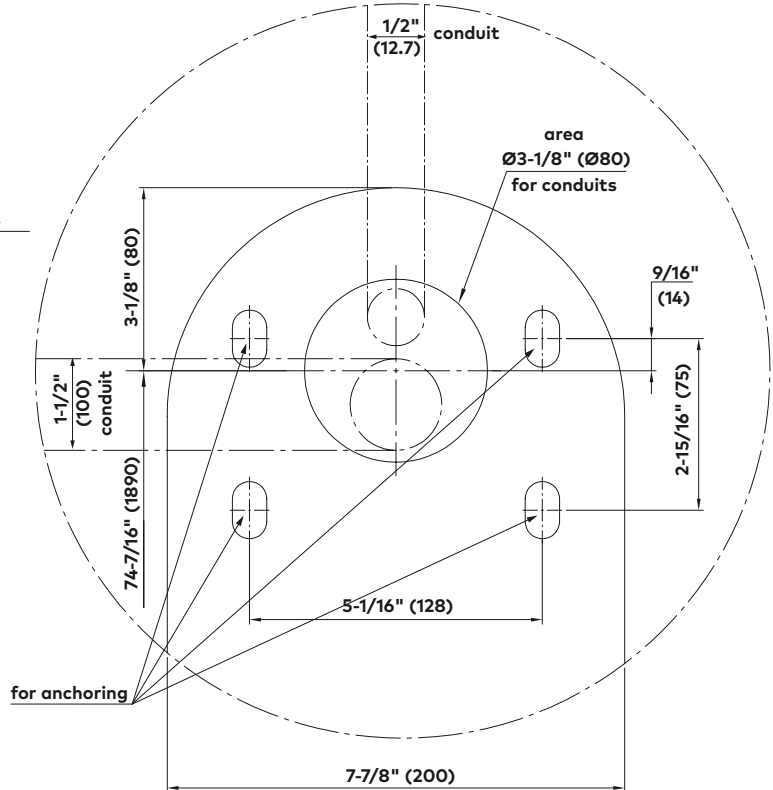
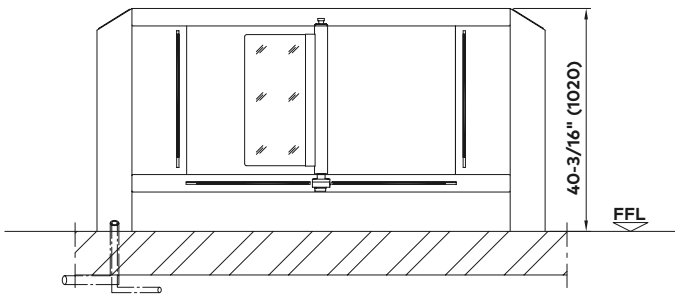
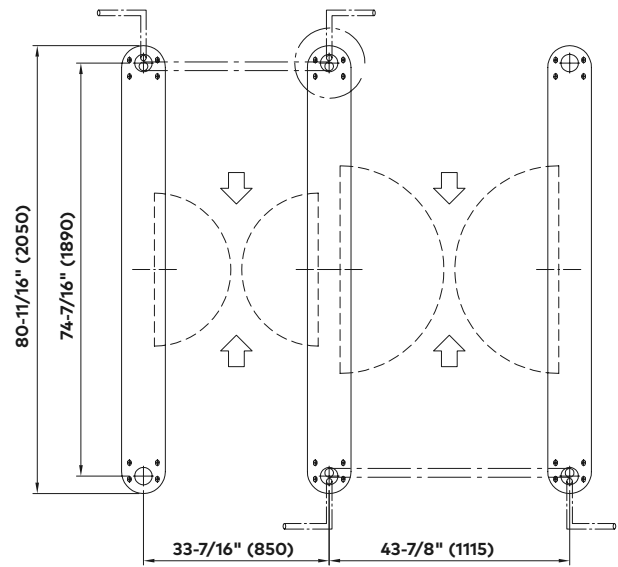
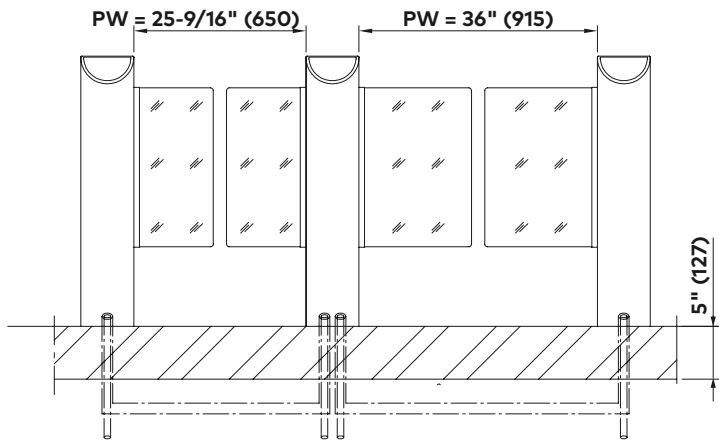
Moderate units offer tailgating monitoring.

Standard units	HSB-E04
	Note: Description of single unit
Interlock height	40-3/16" (1020)
Interlock length	80-11/16" (2050)
Passage width	25-9/16" (650)
Total width	41-5/16" (1050)
Housing, base columns, guiding elements	AISI 304 stainless steel with satin finish.
ADA compliance	36" (915) width available.
Barrier elements	Two door leaves made of transparent polycarbonate, upper edge 35-7/16" (900). Swinging area monitored by separation sensors.
Security	Passage area monitored by basic sensor system with a compact installation length (basic level of single passage monitoring in both directions).
Finish	Stainless steel semi-gloss smooth finish.
Safety	Low energy drive with energy content less than 1.18 lb/ft.
Function	Type 2—power assisted motion; two servo-positioning drives/ electrically controlled in both directions.
Drives	Integrated in the swing tube.
Operating modes	Optical. Normally closed. Normally opened. (Barriers close on tailgate event.)
Electrical equipment	Control system and power supply integrated in the unit.
Power supply	110 – 230 VAC, 50/60 Hz. 368 VA
Standby power consumption	17 VA
Standard adjustment in case of power failure	Door leaves move freely.
Installation	Dowelled on finished floor level, FFL. Not suitable for outdoor installation.
Protection classes	Housing IP43, components conducting supply voltage IP43.



HSB-E04

Installation drawings



dormakaba USA Inc.
 Dorma Drive, Drawer AC
 Reamstown, PA 17567
 844.SPECNOW
 www.dormakaba.us

Note
 Dimensions shown as inches followed by millimeters; for example, 1" (25).