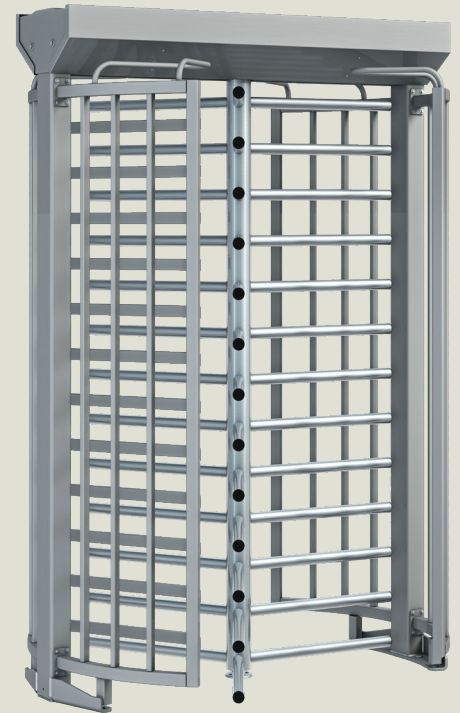


FTS-E04

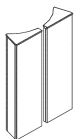
Vandal-resistant full height turnstile with reinforced arms

Standard units	FTS-E04
Construction column diameter	51-13/16" (1300 mm)
Portal width	60-5/8" (1540 mm)
Total height	89-3/8" (2270 mm)
Passage height	81-1/8" (2060 mm)
Passage width	25-7/16" (646 mm)
Portal and housing	Steel
Lockable maintenance opening	AISI 304 stainless steel
Rotating unit with tubular column, Ø3-1/2" (Ø89 mm)	120° each with 13 straight crossbars Ø1-9/16" (Ø40 mm), made of glossy AISI 304 stainless steel with black plastic cover caps.
Barrier element	Curved with 12 steel bars and protection against sawing through in the vertical tubes.
Finish	Rotating unit made of glossy stainless steel, hot-dip galvanized steel elements, stainless steel maintenance opening in RAL 9006 (white aluminum).
Rotor	3-blade rotor
Function	Power assist—Power-assisted motion; servo-positioning drive/ electronically controlled in both directions (behavior in event of power failure can be selected for each direction: free or blocked).
Electrical equipment	Control system integrated in the unit.
Power supply	100 – 240 VAC, 50/60 Hz, 253 VA.
Standby power consumption	20 VA.
Installation	Finish floor Sub-floor Sleeve foundation
Protection classes	Housing IP33, components conducting supply voltage IP43.



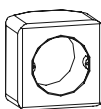
Optional components

Housing



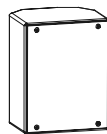
Housing with lockable front panel made of silver anodized aluminum, plastic-coated according to RAL or glossy stainless steel

Console 1



Plastic in color of unit or in RAL 9006
W: 3-11/16" (94 mm)
H: 3-11/16" (94 mm)
D: 2-9/16" (65 mm)

Console 2



Aluminum in color of unit or in RAL 9006
W: 5-1/2" (140 mm)
H: 7-1/16" (180 mm)
D: 4-5/16" (110 mm)

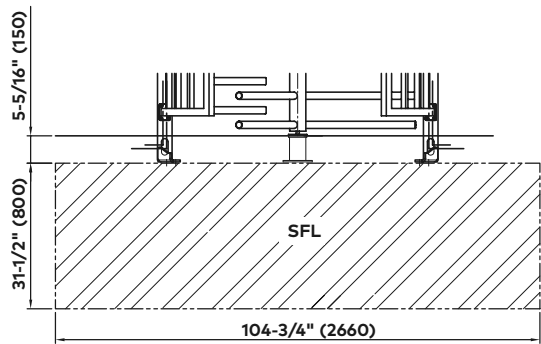
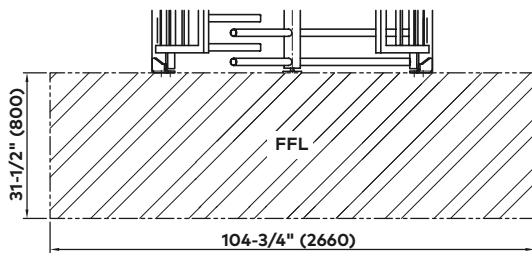
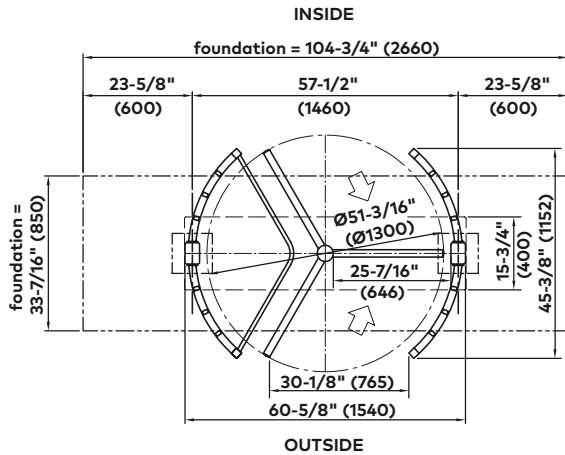
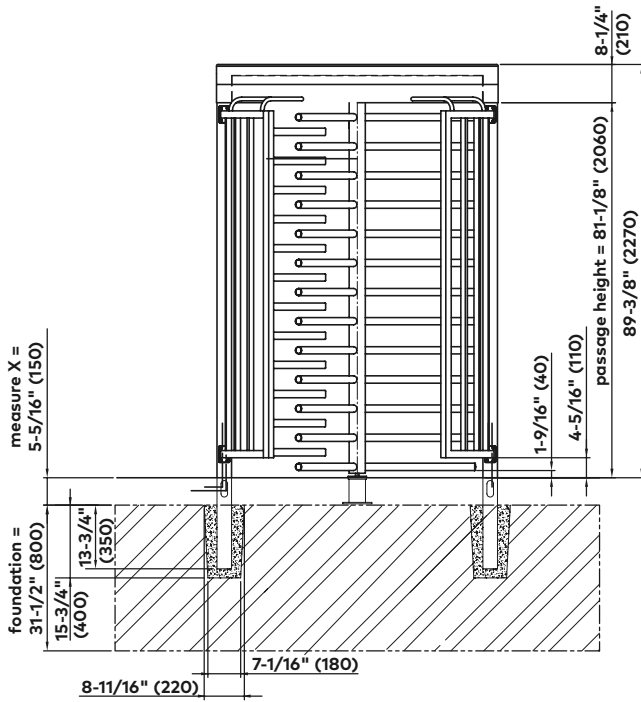
Console 3



Aluminum in color of unit or in RAL 9006
W: 5-1/2" (140 mm)
H: 14-3/8" (365 mm)
D: 4-5/16" (110 mm)

FTS-E04

Installation drawings



Note
 Dimensions shown as inches followed by millimeters; for example, 1" (25).