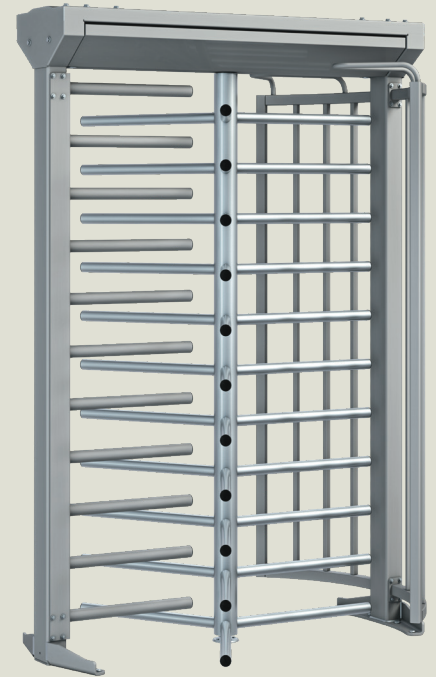


FTS-E02

Full height turnstile with choice of straight or looped crossbars

Standard units	FTS-E02
Construction column diameter	51-13/16" (1300 mm)
Portal width	60-5/8" (1540 mm)
Total height	89-3/8" (2270 mm)
with optional canopy D1	94-1/16" (2390 mm)
with optional canopy D2	95-1/4" (2420 mm)
with optional canopy D3	95-1/4" (2420 mm)
Passage height	81-1/8" (2060 mm)
Passage width	25-7/16" (646 mm)
Portal and housing	Steel
Lockable maintenance opening	Aluminum
Rotating unit with tubular column, Ø3-1/2" (Ø89 mm)	120° each with 11 straight or 7 looped crossbars Ø1-9/16" (Ø40 mm), made of glossy AISI 304 stainless steel with black plastic cover caps.
Barrier element	With 11 straight or 7 looped crossbars Ø1-5/8" (Ø42 mm), made of steel.
Finish	Rotating unit made of glossy stainless steel, hot-dip galvanized steel elements, aluminum elements in RAL 9006 (white aluminum).
Rotor	3-blade rotor
Function (see Function note)	Mechanical (Manual) Power assist
Electrical equipment	Control system integrated in the unit.
Power supply	100 – 240 VAC, 50/60 Hz, 253 VA.
Standby power consumption	10 VA.
Installation	Finish floor Sub-floor Sleeve foundation
Protection classes	Housing IP33, components conducting supply voltage IP43.

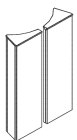


Function

- Manual—Mechanical operation, free in one direction/opposite direction blocked.
- Power assist—Power-assisted motion; servo-positioning drive/electronically controlled in both directions (behavior in event of power failure can be selected for each direction: free or blocked).

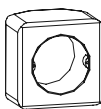
Optional components

Housing



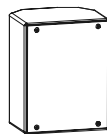
Housing with lockable front panel made of silver anodized aluminum, plastic-coated according to RAL or glossy stainless steel

Console 1



Plastic in color of unit or in RAL 9006
W: 3-11/16" (94 mm)
H: 3-11/16" (94 mm)
D: 2-9/16" (65 mm)

Console 2



Aluminum in color of unit or in RAL 9006
W: 5-1/2" (140 mm)
H: 7-1/16" (180 mm)
D: 4-5/16" (110 mm)

Console 3

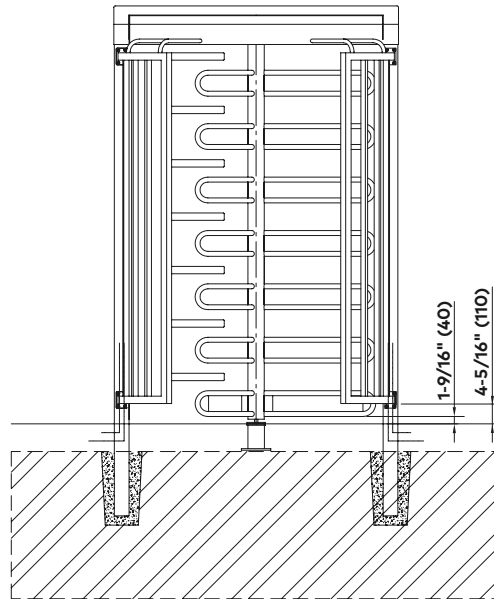
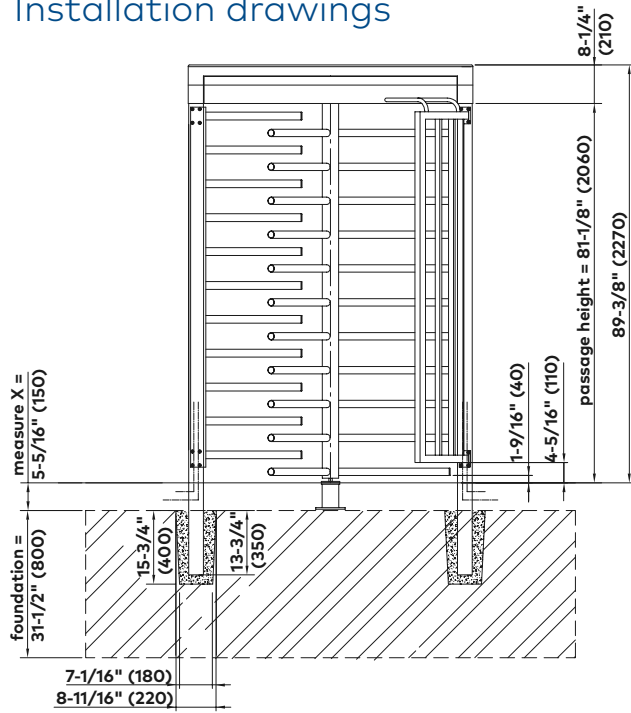


Aluminum in color of unit or in RAL 9006
W: 5-1/2" (140 mm)
H: 14-3/8" (365 mm)
D: 4-5/16" (110 mm)

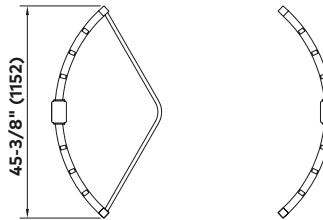
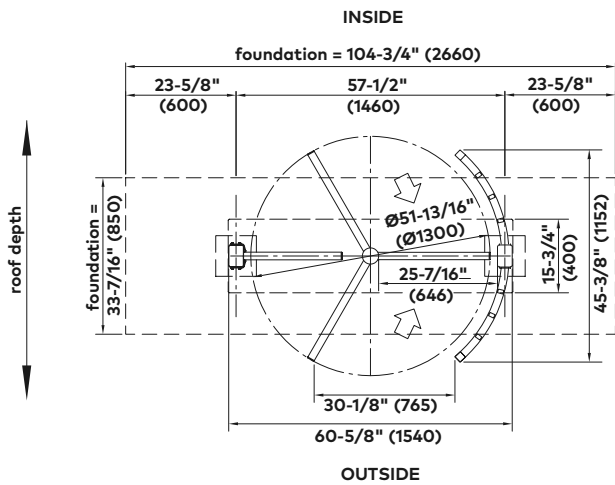
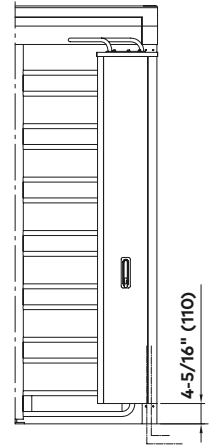


FTS-E02

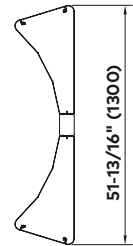
Installation drawings



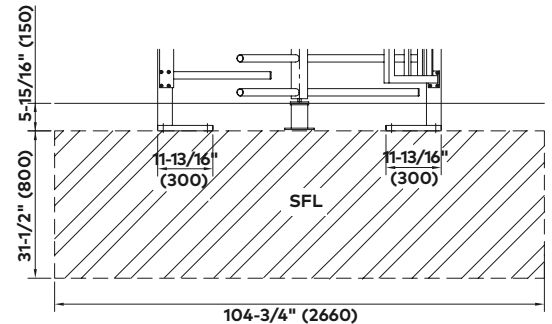
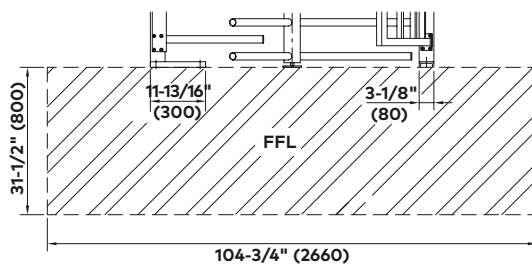
Option: Turnstile with curved crossbars includes barrier element curved rake



Option: Barrier element curved rake



Option: Entry/Exit enclosure metal housing



Note

Dimensions shown as inches followed by millimeters; for example, 1" (25).